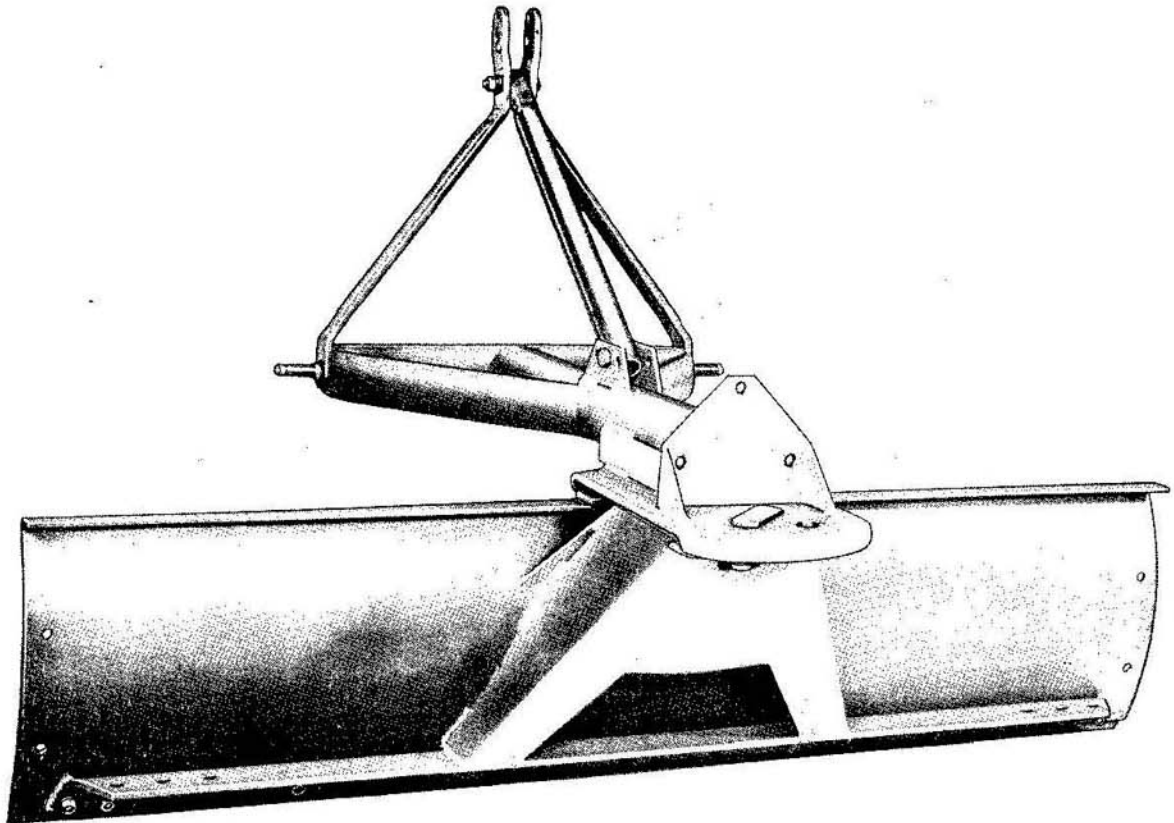


*Ford*

# UTILITY BLADE

SERIES 726

# PARTS BOOK



**FEBRUARY, 1963**

**TRACTOR AND IMPLEMENT OPERATIONS (U.S.)**

**FORD TRACTOR DIVISION      FORD MOTOR COMPANY**

**BIRMINGHAM, MICHIGAN**

# Blades

## MODEL INDEX

<u>MODEL NO.</u>	<u>DESCRIPTION</u>	<u>GROUP NO.</u>
19-344	Ford Utility Blade.	1-1
190033	Skid Shoe & Bracket Assy.	2-1
194776	Blade End Plate Kit	2-1
194775	Blade Side Cutting Plate Kit	2-1
19-189	Blade Gauge Wheel Attachment	3-1

# Blades

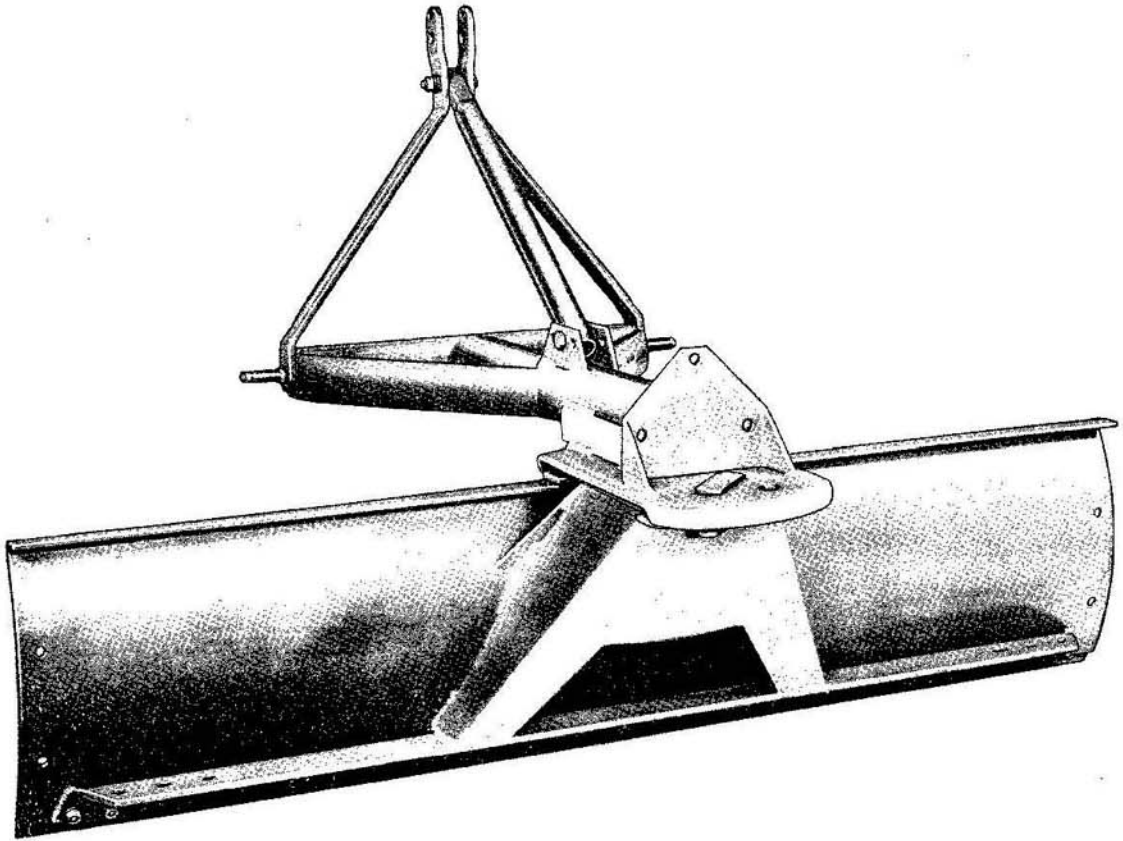


FIG. A-FORD UTILITY BLADE (19-344)

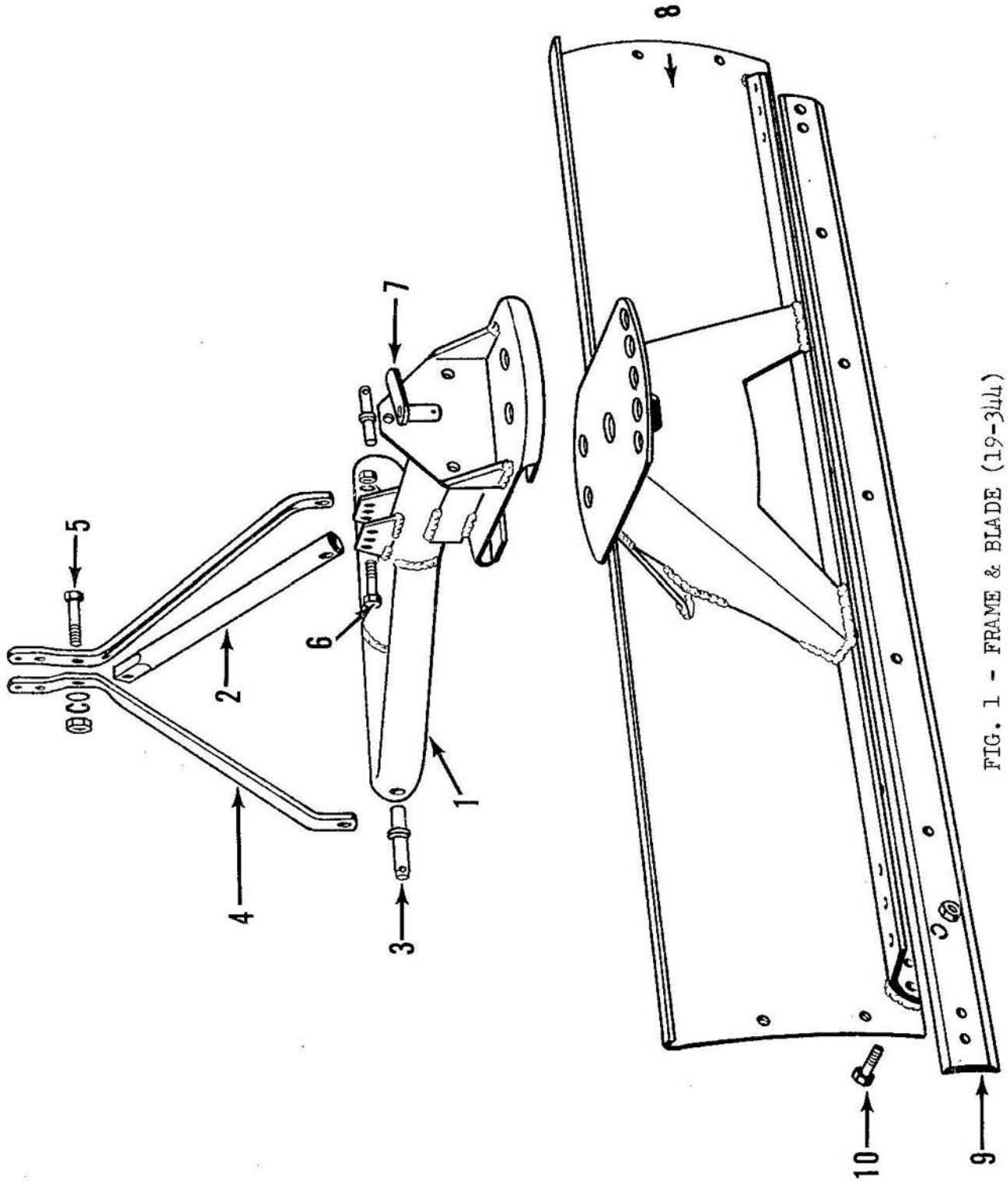


FIG. 1 - FRAME & BLADE (19-344)

# Blades

FIG.	PART NO.	NAME AND DESCRIPTION	QTY. REQ.
1		<u>GROUP 1-1</u> <u>FORD UTILITY BLADE 19-344</u>	19-344
1	290491	FRAME, Blade (WA) . . . . .	1
2	290501	BAR, Blade Pitch . . . . .	1
3	290502	PIN, Link . . . . .	2
	34814-S7	LOCKWASHER, 7/8 . . . . .	2
	34677-S8	NUT, 7/8 - 14 Hex . . . . .	2
4	290503	BRACE, Mast Yoke Side . . . . .	2
5	302909-S8	BOLT 5/8 - 11 x 3 1/4 Hex Head )	1
6	302908-S8	BOLT 5/8 - 11 x 3 Hex Head )	1
	34811-S7	WASHER 5/8 Lock )	2
	33849-S8	NUT, 5/8 x 11 Hex )	2
		Pitch Bar to Side Brace	
7	290504	PIN, Drop (WA) . . . . .	1
	44764-S8	WASHER, 1/2 Flat . . . . .	1
	72148-S8	PIN, 5/16 x 2 1/2 Cotter . . . . .	1
	305237	DECAL . . . . .	1
8	290508	MOLDBOARD, Blade (WA) . . . . .	1
9	290514	LIP, Cutting Blade . . . . .	1
10	300308-S8	BOLT, 1/2 - 13 x 1 1/2 Plow . . . . .	9
	34809-S7	WASHER, 1/2 Lock . . . . .	9
	33845-S8	NUT, 1/2 - 13 Hex . . . . .	9

# Blades

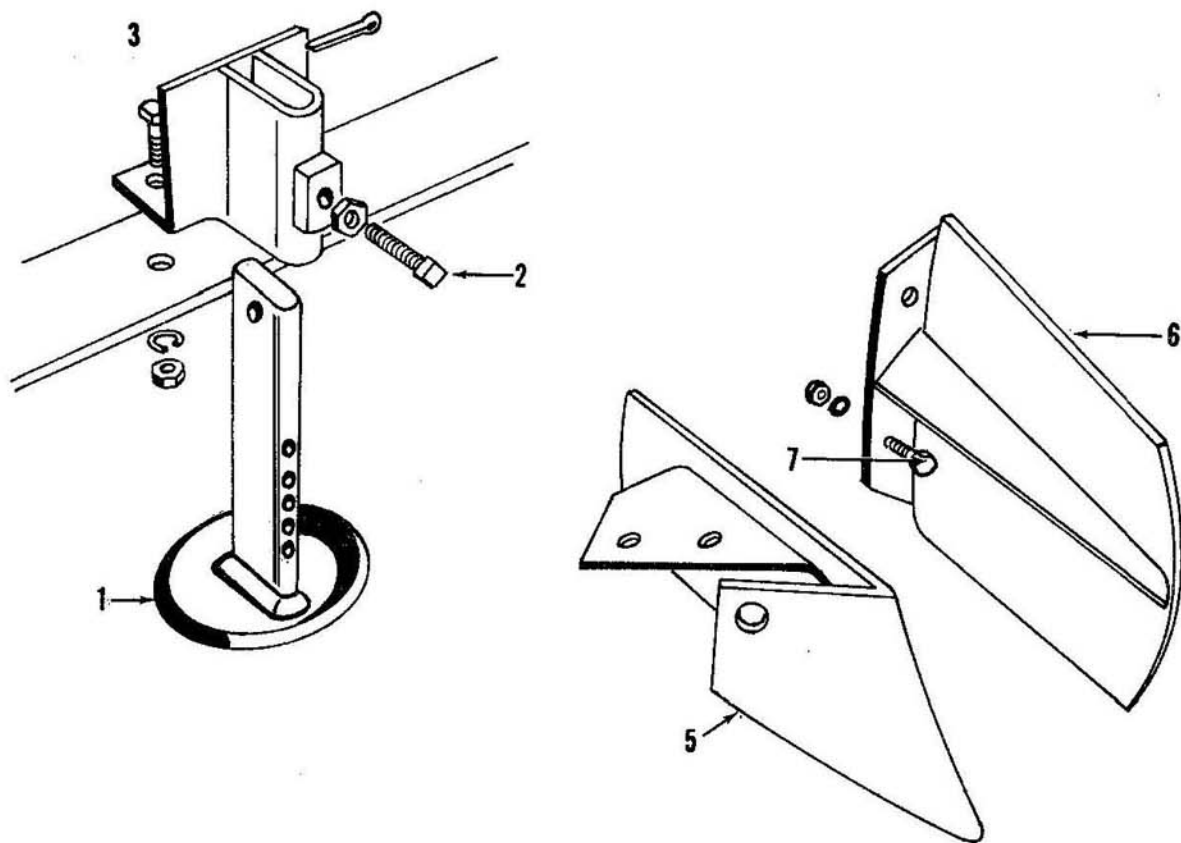


Fig.2 Skid Shoe & Bracket

FIG.	PART NO.	NAME AND DESCRIPTION	QTY. REQ.
2	190033	<u>GROUP 2-1 SHOE AND BRACKET KIT</u>	190033
		SHOE AND BRACKET KIT, Consists of:	
1	190034	SHOE, Skid . . . . .	2
	72057-S8	COTTER, Pin 1/4 x 1 1/4 . . . . .	
2	91476-S34	SET, Screw 1/2 - 13 x 1 1/2 Sq. Hd. Cup Pt.) Skid	2
		NUT 1/2 - 13 Hex Jam ) Shoe	2
3	190062	BRACKET, Mounting . . . . .	2
4	304765-S8	BOLT 1/2 - 20 x 1 1/2 Hex Hd.)	4
	34809-S8	LOCKWASHER 1/2 ) Bracket to Blade	4
	33846-S8	NUT, 1/2 - 20 Hex )	4

# Blades

FIG.	PART NO.	NAME AND DESCRIPTION	QTY. REQ.
2		<u>GROUP 2-1 SHOE AND BRACKET KIT (Cont.)</u>	190033
5	194775	POINT, Ditching (WA) . . . . .	1
	302772-S8	BOLT 1/2 - 13 x 1 3/4 Hex Head )	1
	303338-S8	BOLT 1/2 - 13 x 1 3/4 Plow )	1
	44736-S8	WASHER 1/2 Flat )	1
	34809-S7	LOCKWASHER, 1/2 )	2
	33845-S	NUT 1/2 - 13 Hex ) Point to Blade	2
	302900-S8	BOLT, 5/8 - 11 1 3/4 Hex Head )	1
	44744-S8	WASHER, 5.8 Flat )	1
	34811-S7	LOCKWASHER, 5/8 )	1
	33849-S8	NUT, 5/8 x 11 Hex )	1
6	194776	SIDE PLATES, (Set of 2) . . . . .	1
7	303221-S8	BOLT, 1/2 - 13 x 1 1/4 Hex Head )	4
	34809-S7	LOCKWASHER 1/2 ) Side Plates to	4
	33845-S	NUT, 1/2 - 13 Hex ) Blade	4

# Blades

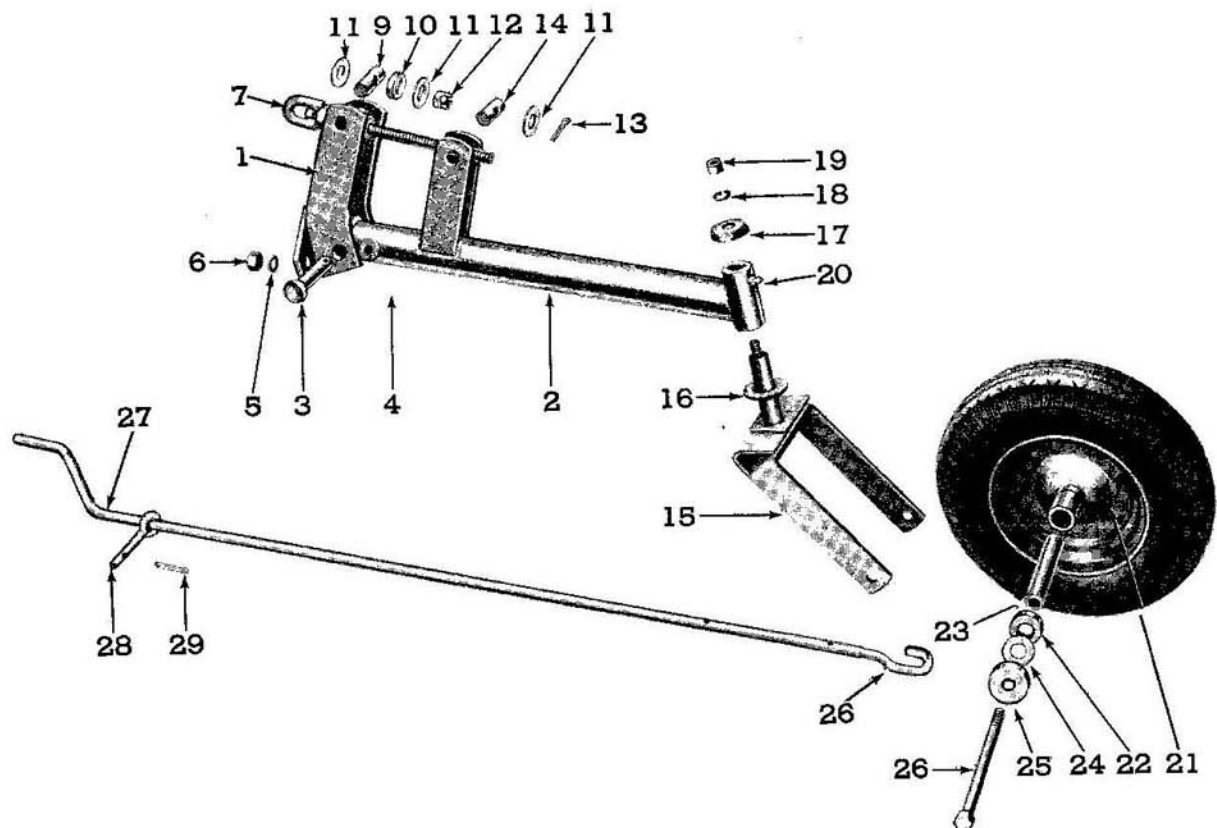


Figure 3 - Gauge Wheel Attachment

FIG.	PART NO.	NAME AND DESCRIPTION	QTY. REQ.
3			19-189
<u>GROUP 3-1 GAUGE WHEEL ATTACHMENT, MODEL 19-189</u>			
1	195232	BRACKET, Gauge Wheel (Welded Assembly) . . . . .	1
2	194596	ARM, Gauge Wheel (Welded Assembly) . . . . .	1
3	106486 72075-S8	PIN, 7/8 x 4 - Rivet, Button Hd Drld) COTTER PIN, 1/4 x 1 - 1/2 ) Bracket to Arm	1
4	45740-S8	BOLT, 5/8 - 11 x 1 - 1/2 Hex Hd)	
5	34811-S7	LOCKWASHER, 5/8 ) Bracket to Tube .	3
6	33849-S8	NUT, 5/8 - 11 Hex )	



# Blades

FIG.	PART NO.	NAME AND DESCRIPTION	QTY. REQ.
3		<u>GROUP 3-1 GAUGE WHEEL ATTACHMENT, (Cont.)</u>	19-189
7	194590	SCREW, Gauge Wheel (Welded Assembly) . . . . .	1
-	194588	SPACER, Gauge Screw . . . . .	1
9	194581	PIN, Gauge Screw Pivot . . . . .	1
10	194671	BEARING, Gauge Screw . . . . .	1
11	44746-S8	WASHER, 3/4 Flat . . . . .	3
12	45301-S	NUT, 3/4 - 10 Hex, Slotted . . . . .	1
13	72053-S8	COTTER PIN, 1/8 x 1 1/4 . . . . .	2
14	194587	PIN, Arm Adjusting . . . . .	1
15	220976	FORK, Gauge Wheel (Welded Assembly) . . . . .	1
16	354772-S	WASHER, 1 - 1/4 Flat . . . . .	1
17	220717	CAP, Dust . . . . .	1
18	34811-S7	LOCKWASHER, 5/8 )	1
19	33849-S8	NUT, 5/8 - 11 Hex) Fork to Arm	1
20	87901-S8	FITTING, Lube, 1/8 - 27 x 3/4 Str. Arm . . . . .	1
21	107846	WHEEL ASSEMBLY, Gauge. . . . .	1
		Consists of Wheel Plus:	
22	107849	BEARING, Wheel . . . . .	2
23	144949	SPACER, .687 x 1 x 6 - 1/16 Tube . . . . .	1
24	147075	WASHER, Hub . . . . .	2
25	147077	CAP, Hub . . . . .	2
26	302924-S8	BOLT, 5/8 - 11 x 8 Hex Hd.)	1
--	34811-S7	LOCKWASHER, 5/8 ) Wheel to Fork	1
--	33849-S8	NUT, 5/8 - 11 Hex )	
--	87932-S8	FITTING, Lube, 3/16 x 9/16 Drive - Hub	1
26A	196595	HOOK, Crank . . . . .	1
27	196596	CRANK, Gauge Screw . . . . .	1
--	73902-S8	PIN, 3/16 x 1 Clevis )	2
--	72003-S8	COTTER PIN, 1/16 x 3/8 ) Crank to Hook	2
28	196594	PIN, Eye . . . . .	1
29	72035-S8	COTTER PIN, 1/8 x 1 - Pin . . . . .	1

## NUMERICAL INDEX

106486 Pin . . . . . 6	196596 Crank . . . . . 7
107846 Wheel Assy. . . . . 7	220717 Cap . . . . . 7
107849 Bearing . . . . . 7	220996 Fork . . . . . 7
144949 Spacer . . . . . 7	290491 Frame . . . . . 3
147075 Washer . . . . . 7	290501 Bar . . . . . 3
147077 Cap . . . . . 7	290502 Pin . . . . . 3
190033 Shoe & Bracket Kit . . . 4	290503 Brace . . . . . 3
190034 Shoe . . . . . 4	290504 Pin . . . . . 3
190062 Bracket . . . . . 4	290508 Moldboard . . . . . 3
194581 Pin . . . . . 7	290514 Lip . . . . . 3
194587 Pin . . . . . 7	300308-S8 Bolt . . . . . 3
194588 Spacer. . . . . 7	302900-S8 Bolt . . . . . 5
194590 Screw . . . . . 7	302908-S8 Bolt . . . . . 3
194596 Arm . . . . . 6	302909-S8 Bolt . . . . . 3
194671 Bearing . . . . . 7	302772-S8 Bolt . . . . . 5
194775 Point, Ditching . . . . 5	302924-S8 Bolt . . . . . 7
194776 Side Plate . . . . . 5	303338-S8 Bolt . . . . . 5
195232 Bracket . . . . . 6	304765-S8 Bolt . . . . . 4
196594 Pin . . . . . 7	305237 Decal . . . . . 3
196595 Hook . . . . . 7	354772-S Washer . . . . . 7